

# Technical data sheet



Product features

Open stand mobile		
<b>Model</b>	<b>SAP Code</b>	00003164
PO 80 M	<b>A group of articles - web</b>	Accessories



– Material: Stainless steel

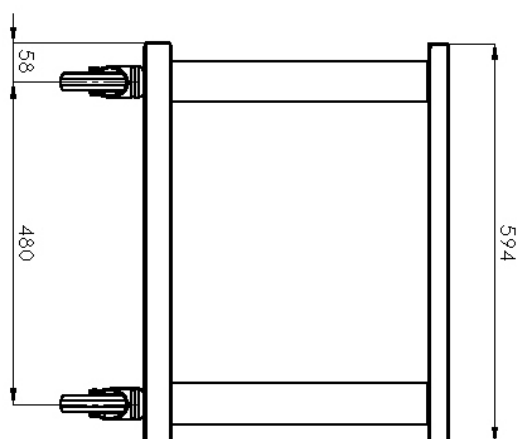
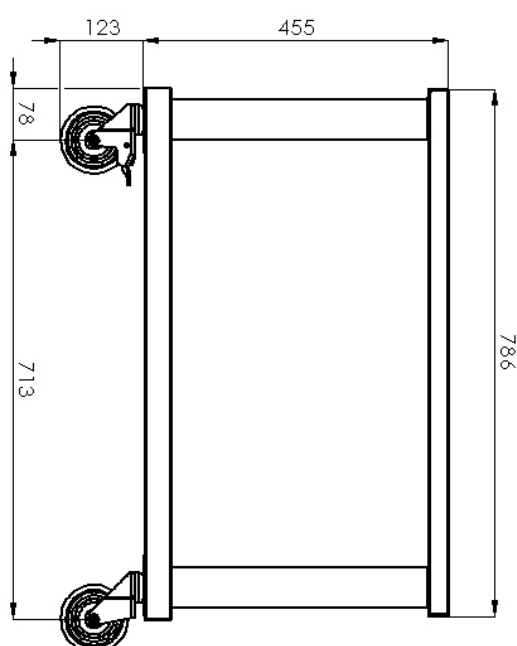
# Technical data sheet



Technical drawing

## Open stand mobile

<b>Model</b>	<b>SAP Code</b>	00003164
PO 80 M	<b>A group of articles - web</b>	Accessories



# Technical data sheet



Technical parameters

Open stand mobile		
<b>Model</b>	<b>SAP Code</b>	00003164
PO 80 M	<b>A group of articles - web</b>	Accessories

**1. SAP Code:**

00003164

**2. Net Width [mm]:**

786

**3. Net Depth [mm]:**

594

**4. Net Height [mm]:**

578

**5. Net Weight [kg]:**

25.50

**6. Gross Width [mm]:**

810

**7. Gross depth [mm]:**

610

**8. Gross Height [mm]:**

580

**9. Gross Weight [kg]:**

26.00

**10. Material:**

Stainless steel

**11. Adjustable feet:**

No

**12. Construction type of device 3:**

Opened

**13. Device properties:**

Neutral

**14. Construction type of device:**

On wheels

**15. Unit:**

No